
**TOPOLOGIES FOR SWITCHED MODE
POWER SUPPLIES**

by L. Wuidart

I INTRODUCTION

This paper presents an overview of the most important DC-DC converter topologies. The main object is to guide the designer in selecting the topology with its associated power semiconductor devices.

The DC-DC converter topologies can be divided in two major parts, depending on whether or not they have galvanic isolation between the input supply and the output circuitry.

II NON - ISOLATED SWITCHING REGULATORS

According to the position of the switch and

the rectifier, different types of voltage converters can be made:

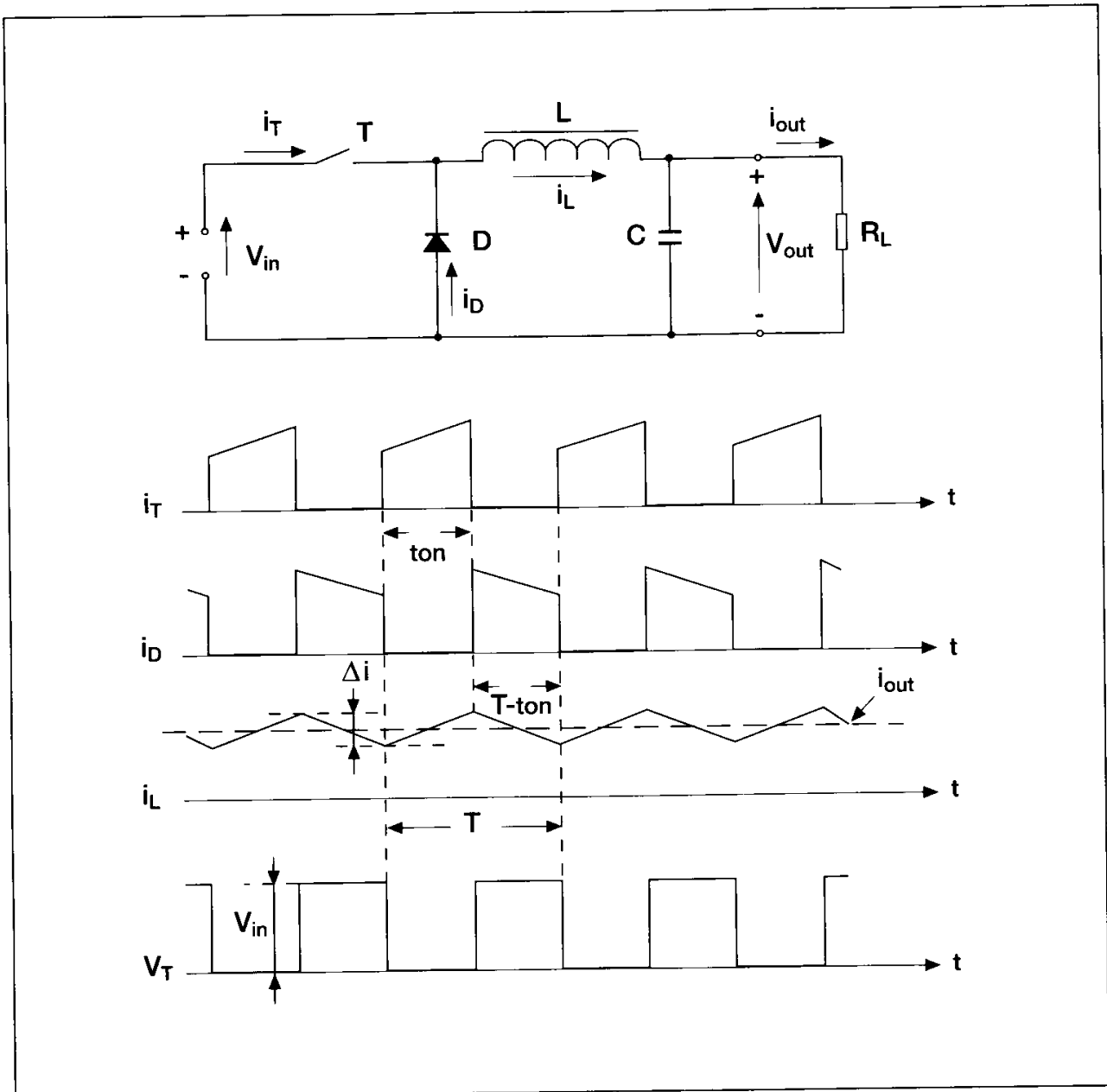
- Step down "Buck" regulator
- Step up "Boost" regulator
- Step up / Step down "Buck - Boost" regulator

II - 1 The "Buck" converter: Step down voltage regulator

The circuit diagram, often referred to as a "chopper" circuit, and its principal waveforms are represented in figure 1:

APPLICATION NOTE

Figure 1: The step down "Buck" regulator



The power device is switched at a frequency $f = 1/T$ with a conduction duty cycle, $\delta = t_{on}/T$. The output voltage can also be expressed as: $V_{out} = V_{in} \cdot \delta$

Device selection:

* *Power switch:* V_{cev} or $V_{DSS} > V_{in\ max}$

$$I_{c\ max} \text{ or } I_{D\ max} > I_{out} + \frac{\Delta I}{2}$$

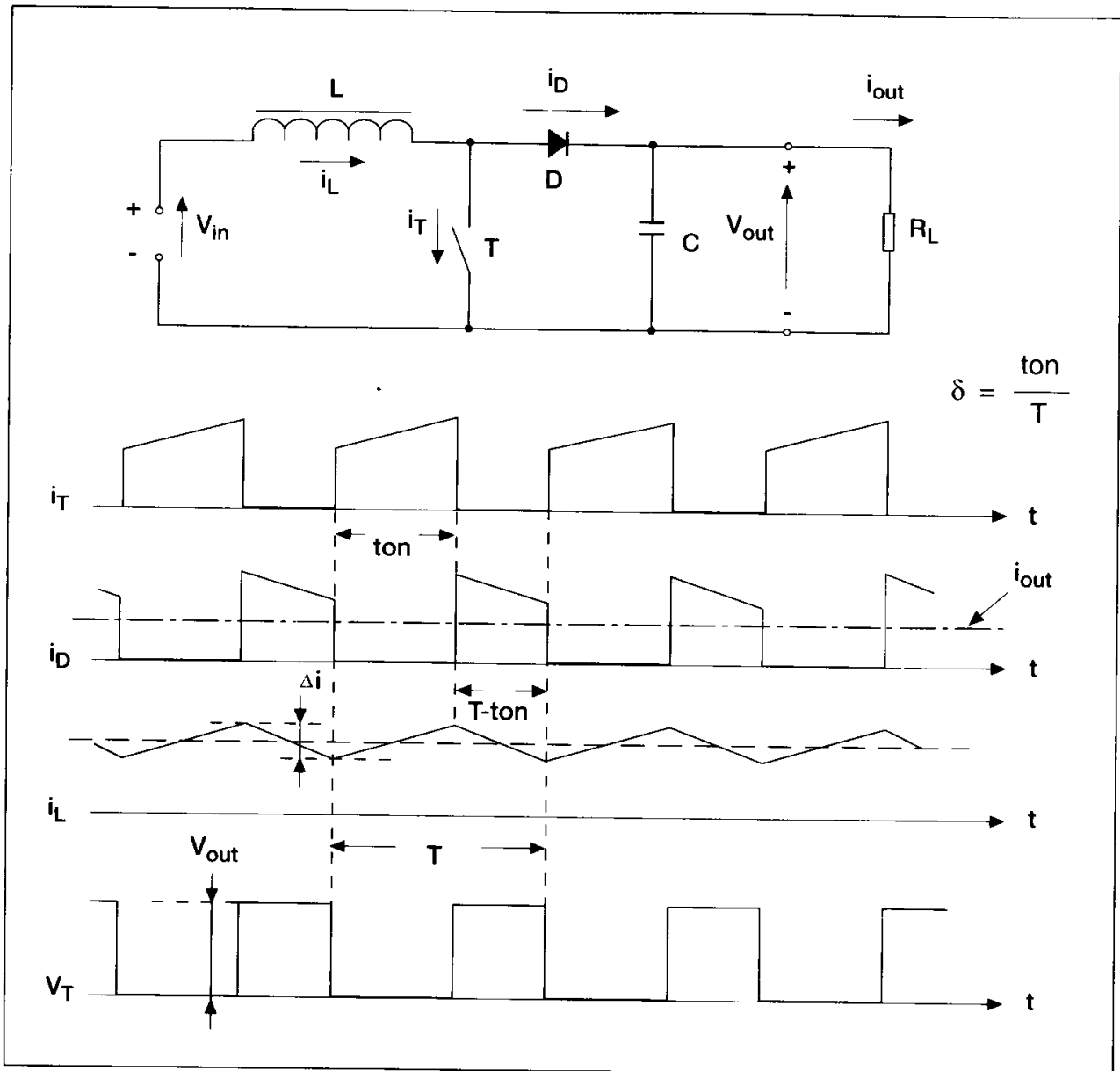
* *Rectifier:*

$$V_{RRM} \geq V_{in\ max}$$

$$I_{F(AV)} \geq I_{out} (1-\delta)$$

II.2 The "Boost" converter: Step up voltage regulator

Figure 2 : The step up "Boost" regulator



In normal operation, the energy is fed from the inductor to the load, and then stored in the output capacitor. For this reason, the output capacitor is stressed a lot more than in the Buck converter.

$$V_{out} = \frac{V_{in}}{1-\delta}$$

Device selection:

* *Power switch:* $V_{ceV} \text{ or } V_{DSS} > V_{out}$

$$I_{cmax} \text{ or } I_{Dmax} > \frac{I_{out}}{1-\delta} + \frac{\Delta I}{2}$$

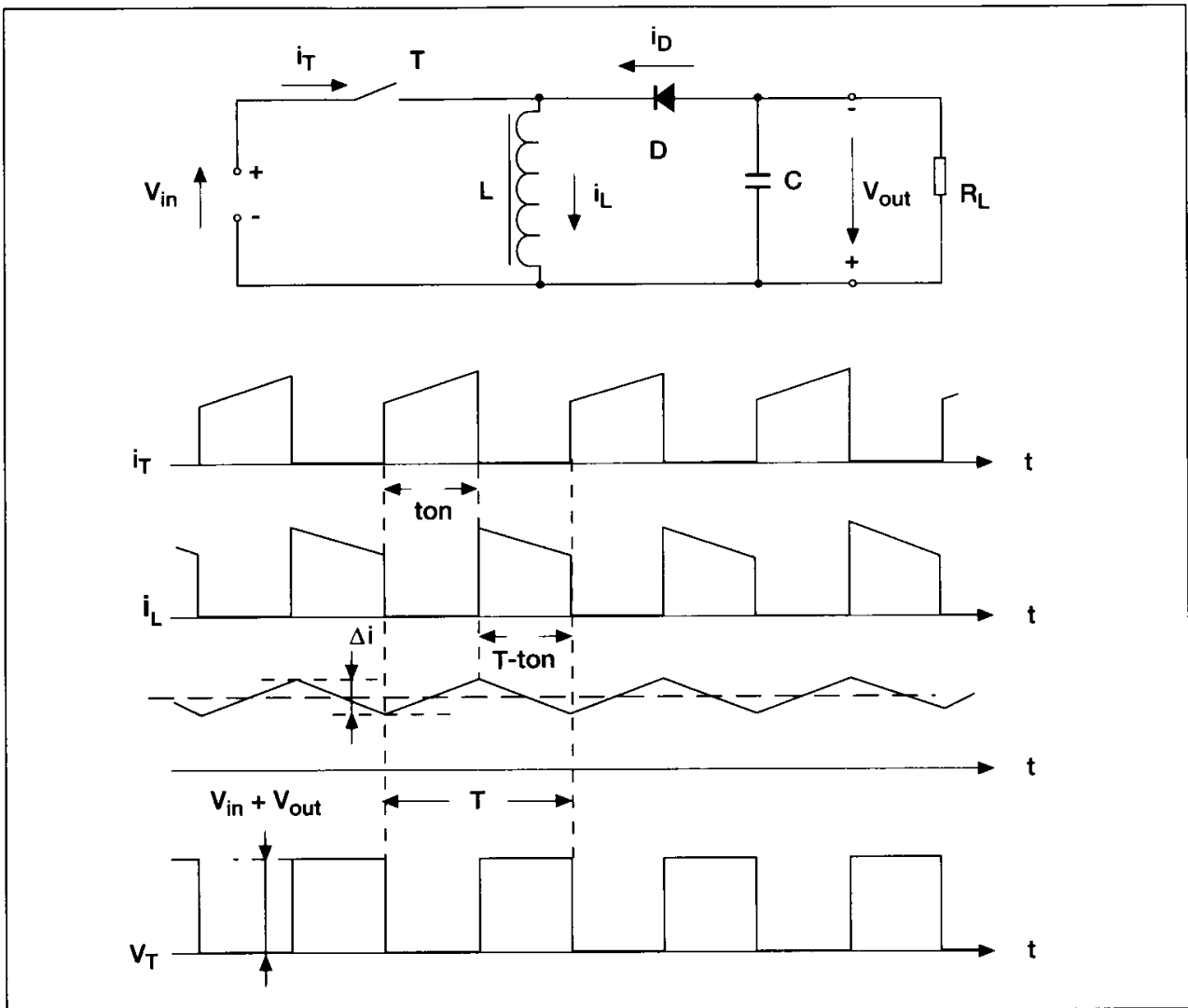
* *Rectifier:* $V_{RRM} > V_{out}$

$$I_{F(av)} > I_{out}$$

APPLICATION NOTE

II - 3 "Buck-Boost converter: Step up/Step down voltage regulator"

Figure 3 : The step up/step down "Buck-Boost" regulator



For a duty cycle under 0.5 the conversion works in step down mode, for a duty cycle over 0.5, the converter then operates in the step up mode.

$$V_{out} = - \frac{V_{in} \cdot \delta}{1 - \delta}$$

Device selection:

* *Power switch :*

$$V_{cevmax} \text{ or } V_{DSS} > V_{inmax} + V_{out}$$

$$I_{cmax} \text{ or } I_{Dmax} > \frac{I_{out}}{1 - \delta} + \frac{\Delta I}{2}$$

* *Rectifier:*

$$V_{RRM} > V_{inmax} + V_{out}$$

$$I_{F(av)} > I_{out}$$

II.4 Summary

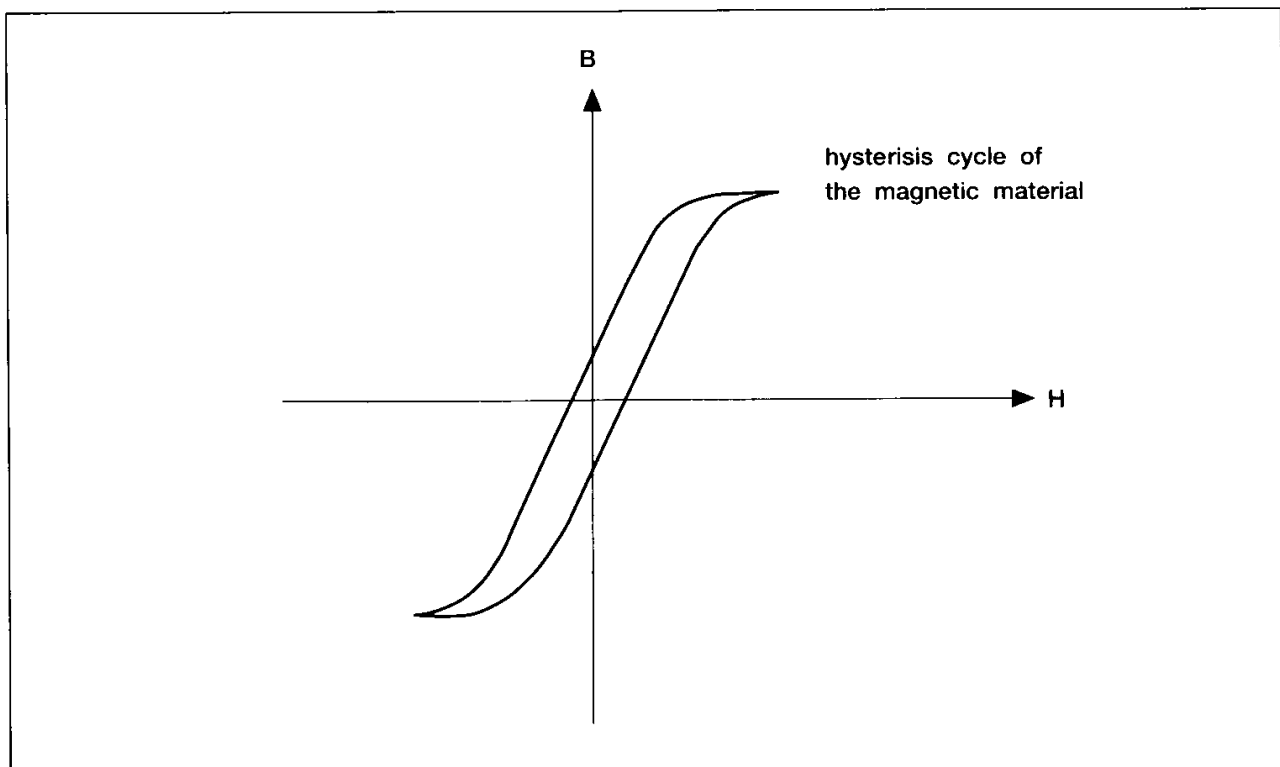
	STEP DOWN	STEP UP	STEP UP/DOWN
V_{out}	$V_{in} \cdot \delta$	$V_{in}/1-\delta$	$[-V_{in} \cdot \delta] / [1-\delta]$
RMS current in C_{out}	low	high	high
Supplied input current	discontinuous	continuous	discontinuous
Gate drive	floating	grounded	floating

III - ISOLATED CONVERTERS:

The isolated converters can be classified according to their magnetic cycle swing in the B-H plot (see figure 4). An isolated converter

is asymmetrical if the magnetic operating point of the transformer remains in the same quadrant. Any other converter is, of course, called symmetrical.

Figure 4 : B-H plot of symmetrical converters



APPLICATION NOTE

III - 1 Asymmetrical converters

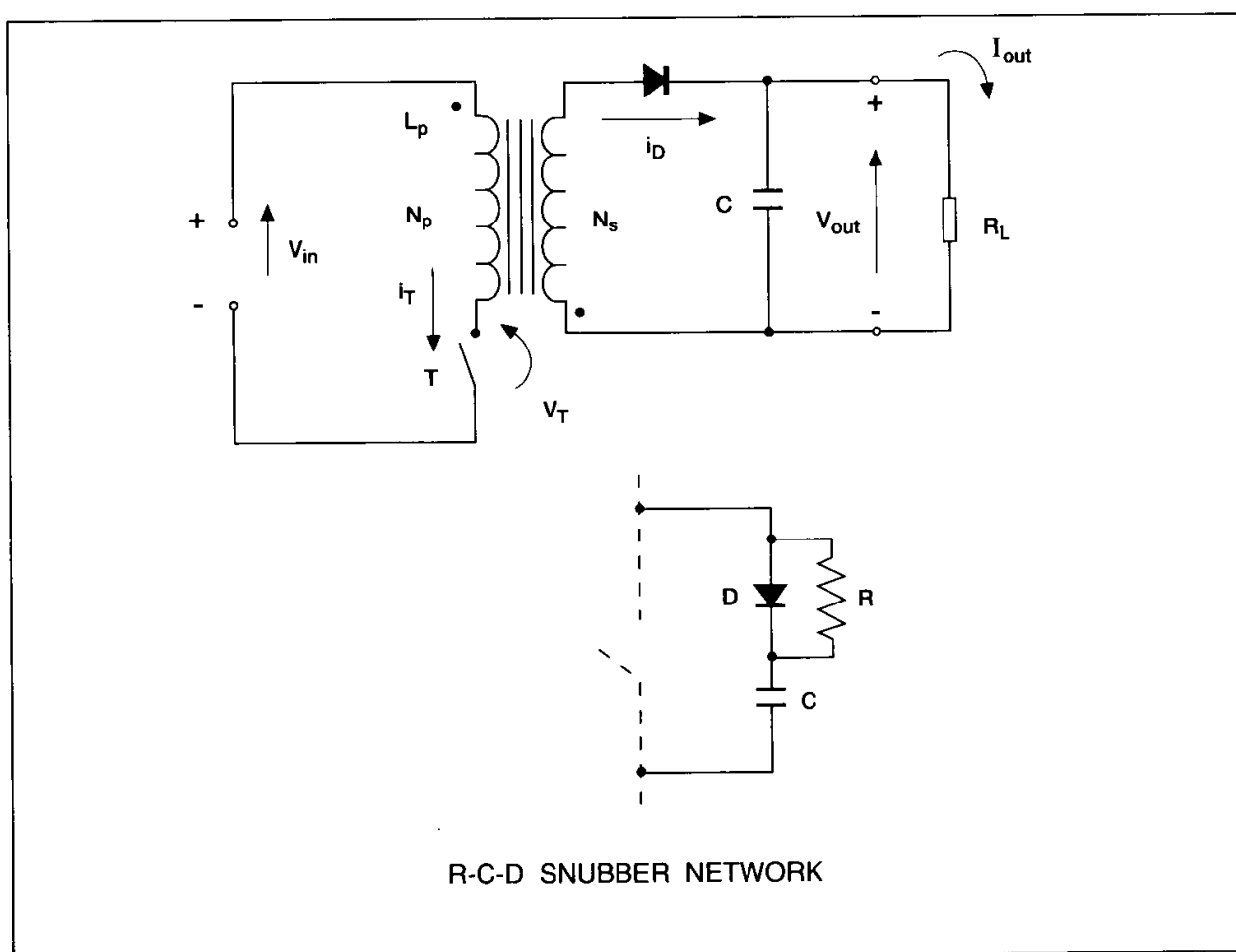
$$V_{out} = \frac{V_{in}}{n} \cdot \frac{\delta}{1-\delta}$$

III - 1.1 Off-line flyback regulators

The energy is stored in the primary L_p inductance of the transformer during the time the power switch is on, and transferred to the secondary output when the power switch is off. If $n = N_p / N_s$ is the turns ratio of the transformer we have:

Off-line flyback regulators are mainly used for an output power ranging from 30W up to 250W. Flyback topology is dedicated to multiple low cost output SMPS as there is no filter inductor on the output.

Figure 5 : Isolated single switch flyback



*Power switch:

$$V_{CEV} \text{ or } V_{DSS} \geq V_{inmax} + nV_{out} + \text{leakage inductance spike}$$

* Secondary Rectifier:

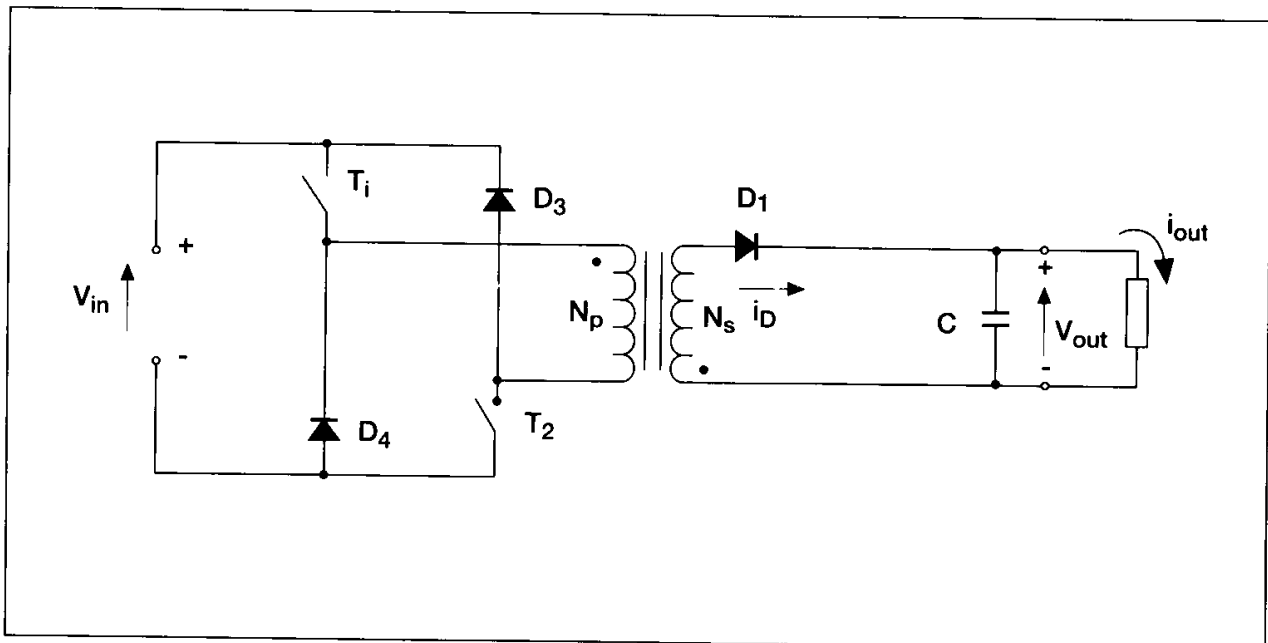
$$V_{RRM} \geq V_{out} + \frac{V_{inmax}}{n}$$

a. Single switch versus double switch flyback

In the single switch flyback, an overvoltage spike is applied across the power switch at each turn off. The peak value of this overvoltage depends upon the switching time, the circuit capacitance and the primary to secondary transformer leakage inductance. So, a single switch flyback nearly always requires a snubber circuit limiting this voltage spike (see figure 5).

In a double switch flyback, the leakage inductance of the power transformer is much less critical (see figure 6). The two demagnetization diodes (D_1 and D_2) provide a single non dissipative way to systematically clamp the voltage across the switches to the input DC voltage V_{in} . This energy recovery system allows us to work at higher switching frequencies and with a better efficiency than that of the single switch structure. However, the double switch structure requires driving a high side switch. This double switch flyback is also known as asymmetrical half bridge flyback.

Figure 6: Isolated double switch flyback



* Power switch:

$$V_{CEV} \text{ or } V_{DSS} \geq V_{inmax}$$

* Primary Rectifiers: D_3 and D_4

$$V_{RRM} \geq V_{inmax}$$

APPLICATION NOTE

b. Discontinuous versus continuous mode flyback

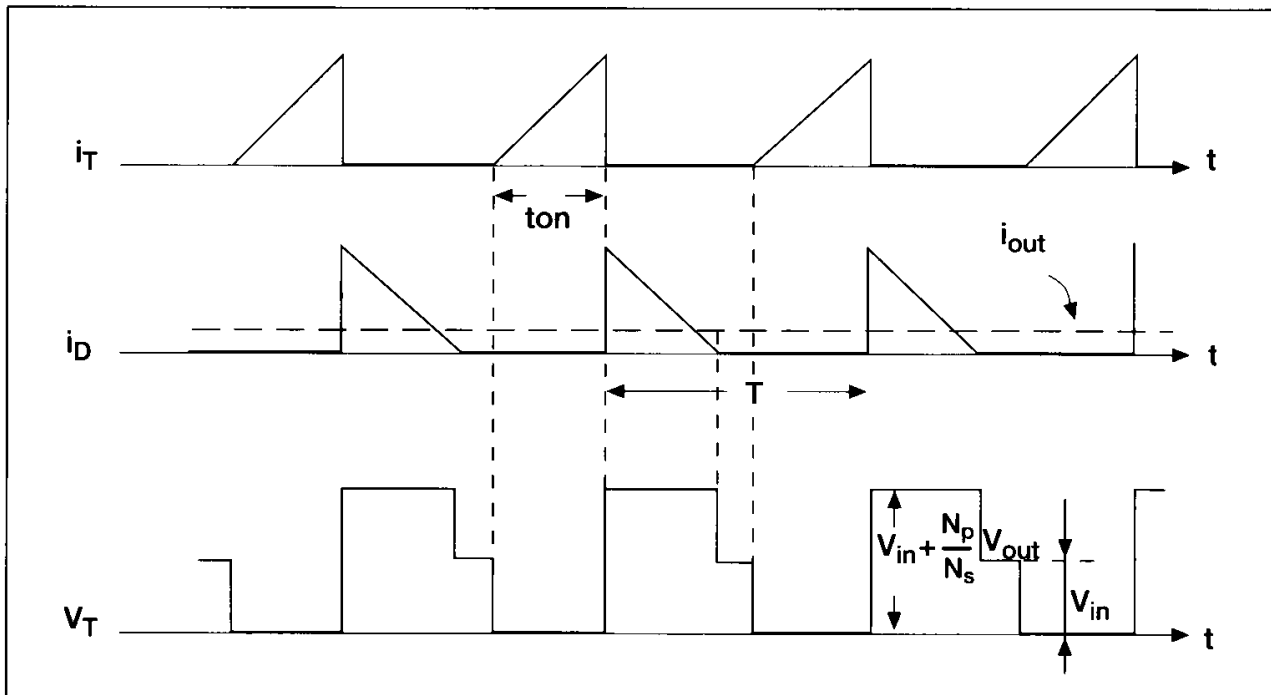
inductance of the transformer is completely demagnetized or not.

The flyback converter has two operating modes depending whether the primary

Discontinuous mode

ADVANTAGES	DISADVANTAGES
- Zero turn-on losses for the power switch	- High peak currents in rectifiers and power switches
- Good transient line/load response	- Large output ripple: $C_{out} (disc.) \approx 2 \cdot C_{out} (cont.)$
- Feedback loop (single pole) easy to stabilize	
- Recovery time rectifier not critical: current is zero well before reverse voltage is applied	

Figure 7: Discontinuous mode flyback waveforms



* Power switch:
$$I_{Cpeak} \geq \frac{2P_{out}}{\eta V_{inmin} \delta_{max}}$$

* Rectifier:
$$I_{Fpeak} \geq \frac{2P_{out}}{V_{out} (1 - \delta_{max})}$$

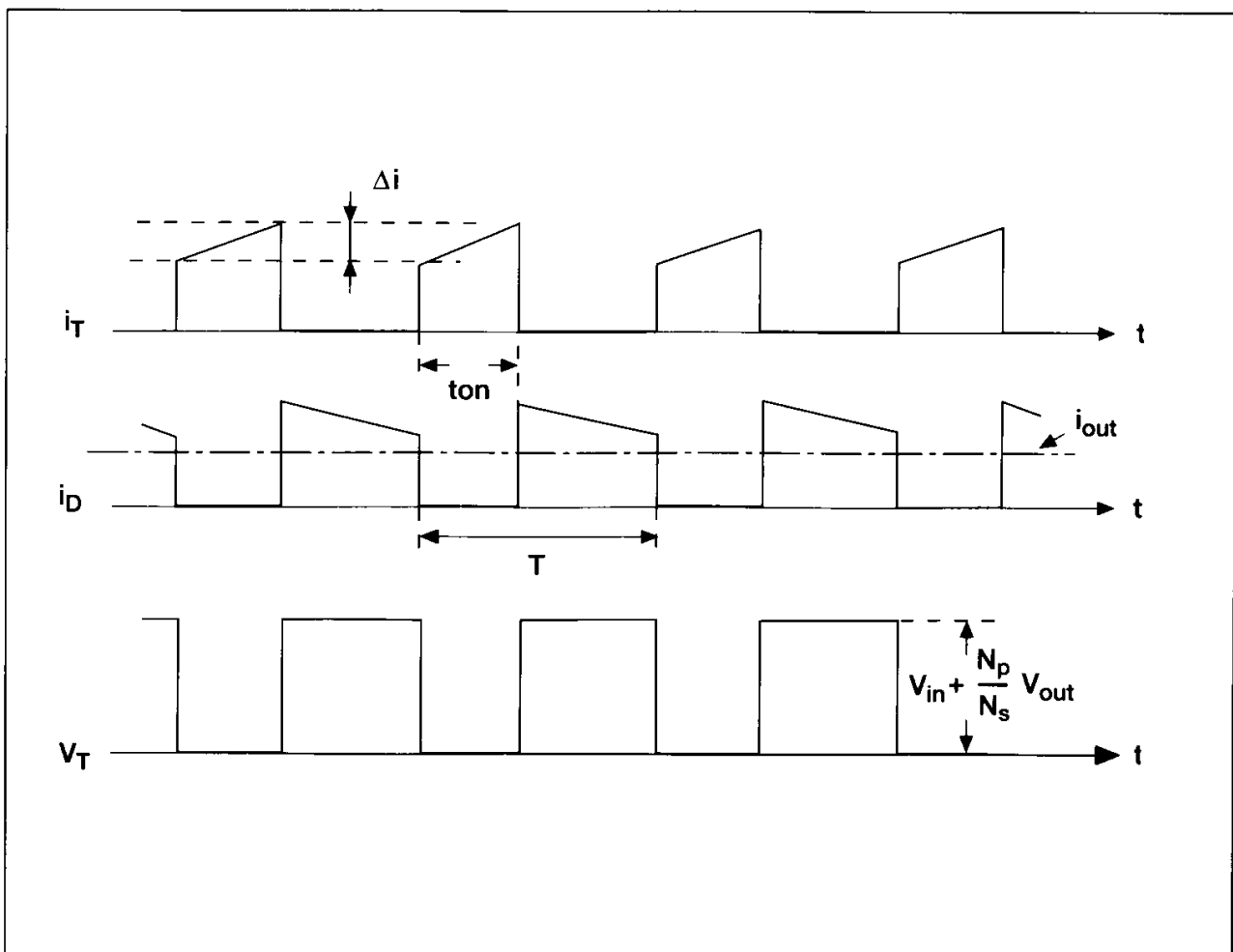
$$I_{Drms} \geq \frac{2P_{out}}{\eta V_{inmin} \sqrt{(3\delta_{max})}}$$

$$I_{F(AV)} \geq \frac{P_{out}}{V_{out}}$$

Continuous mode

ADVANTAGES	DISADVANTAGES
- Peak current of rectifier and switch is half the value of discontinuous mode	- Recovery time rectifier losses
- Low output ripple: $C_{out}(\text{cont.}) \approx 0.5 C_{out}(\text{disc.})$	-Feedback loop difficult to stabilize (2 poles and right half plane zero)

Figure 8: Continuous mode flyback waveforms



APPLICATION NOTE

* *Power switch:*

$$I_{Cpeak} \geq \frac{2P_{outmax}}{\eta \delta_{max} V_{inmin} (1+A)}$$

$$I_{Drms} \geq \frac{2P_{out}}{\eta V_{inmin}} \sqrt{\frac{(1+A+A^2)}{3\delta_{max}}}$$

* *Rectifier:*

$$I_{Fpeak} \geq \frac{2P_{out}}{V_{out} (1 - \delta_{max})(1+A)}$$

$$I_F(AV) \geq \frac{P_{out}}{V_{out}}$$

$$\text{with } A \geq = \frac{I_{peak} - \Delta I}{I_{peak}}$$

in single switches, and up to 1kW in double switch structures.

Single switch vs. double switch forward

In the single switch forward, the magnetizing energy stored in the primary inductance is restored to the input source by a demagnetization winding N_d . Most commonly, the primary and the demagnetization windings have the same number of turns.

So, at turn-off, the power switch has to withstand twice the input voltage during the demagnetization time, and then, once the input voltage (see figure 9).

The demagnetization and primary windings have to be tightly coupled to reduce the voltage spike - more than the theoretical $2V_{in}$ - occurring at turn-off across the power switch.

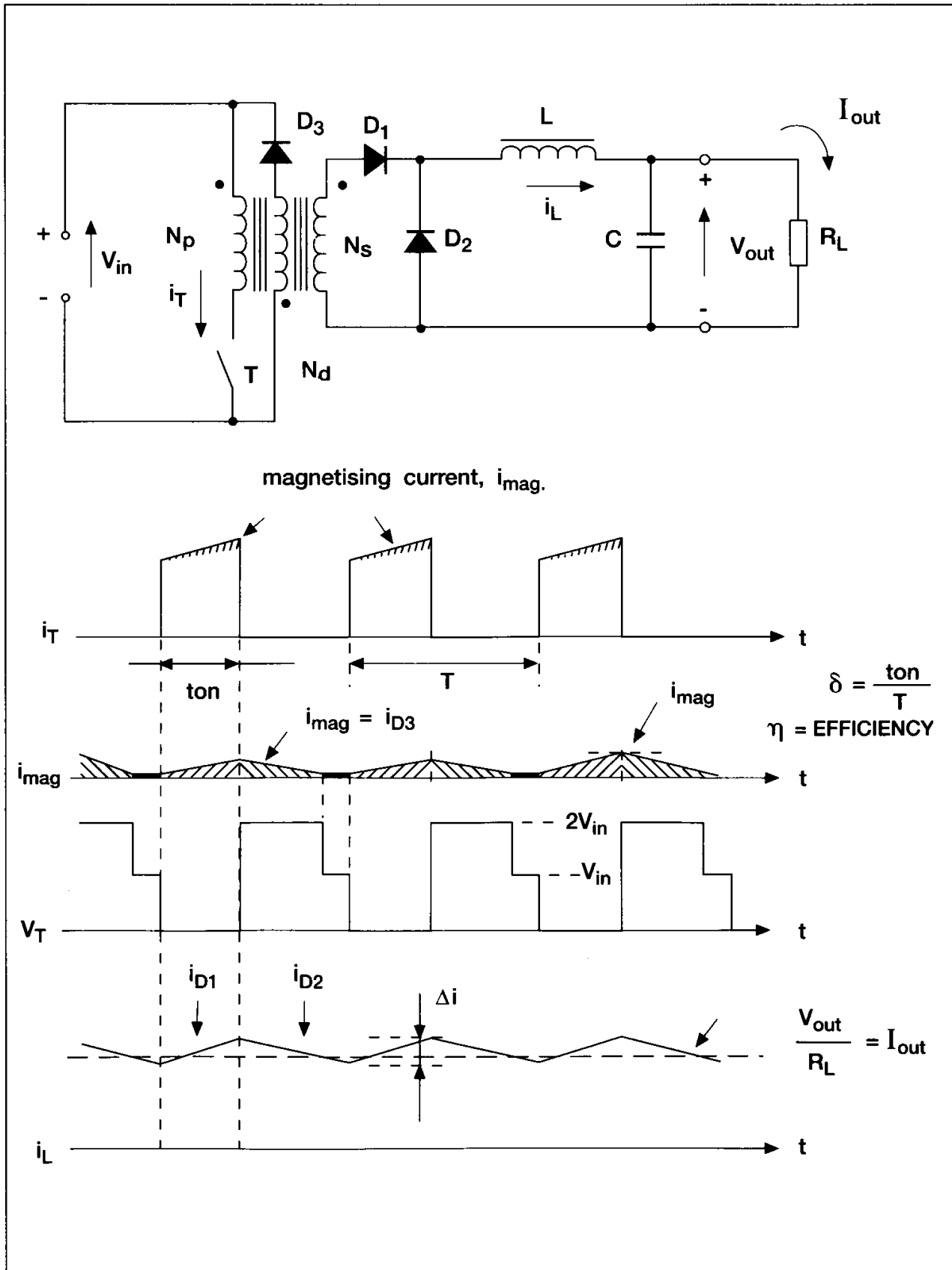
III - 1.2 Off line forward regulators

The forward converter transfers directly the energy from the input source to the load during the on-time of the power switch. During off-time of the power switch, the energy is freewheeling through the output inductor and the rectifier D_2 , like in a chopper (see figure 1).

$$V_{out} = \delta \cdot \frac{V_{in}}{n}$$

A forward regulator can be realized with a single switch structure or with a double switch structure, according to the way the energy stored in the transformer primary inductance is demagnetized. Forward converters are commonly used for output power up to 250W

Figure 9: Isolated single switch forward



APPLICATION NOTE

* Power switch:

$$V_{CEV} \text{ or } V_{DSS} \geq V_{inmax} \left[1 + \frac{N_p}{N_d} \right] + \text{leakage inductance spike}$$

$$I_{cpeak} \geq \frac{1.2 \cdot P_{out}}{\eta V_{inmin} \cdot \delta_{max}}$$

$$I_{Drms} \geq \frac{1.2 \cdot P_{out}}{\eta V_{inmin} \cdot \sqrt{\delta_{max}}}$$

*Rectifiers:

FORWARD D1:

$$\left[\begin{array}{l} V_{RRM} \geq V_{inmax} \cdot \frac{N_s}{N_d} + \text{leakage inductance spike} \\ I_{F(av)} \geq I_{out} \cdot \delta_{max} \end{array} \right.$$

FREEWHEELING D2:

$$\left[\begin{array}{l} V_{RRM} \geq \frac{V_{inmax} \cdot (V_{out} + V_F)}{V_{inmin} \cdot \delta_{max}} \\ I_{F(av)} \geq I_{out} \end{array} \right.$$

DEMAGNETIZATION D3:

$$\left[\begin{array}{l} V_{RRM} \geq 1 + \left[\frac{N_d}{N_p} \right] V_{inmax} \\ I_{F(av)} \geq \frac{I_{magnpeak}}{2} \cdot \delta_{max} \end{array} \right.$$

In the "double switch forward", also called asymmetrical half bridge forward, the magnetizing energy stored in the primary inductance is automatically returned to the bulk capacitor by the two demagnetization diodes D_1 and D_2 .

The two power switches and demagnetisation diodes have to withstand only once the input voltage V_{in} . As for the double switch flyback, the asymmetrical half bridge needs a floating gate drive for the high side switch.

* Power switch:

$$V_{CEV} \text{ or } V_{DSS} \geq V_{inmax}$$

$$I_{Drms} \geq \frac{1.2 \cdot P_{out}}{\eta V_{inmin} \cdot \sqrt{\delta_{max}}}$$

* Rectifiers:

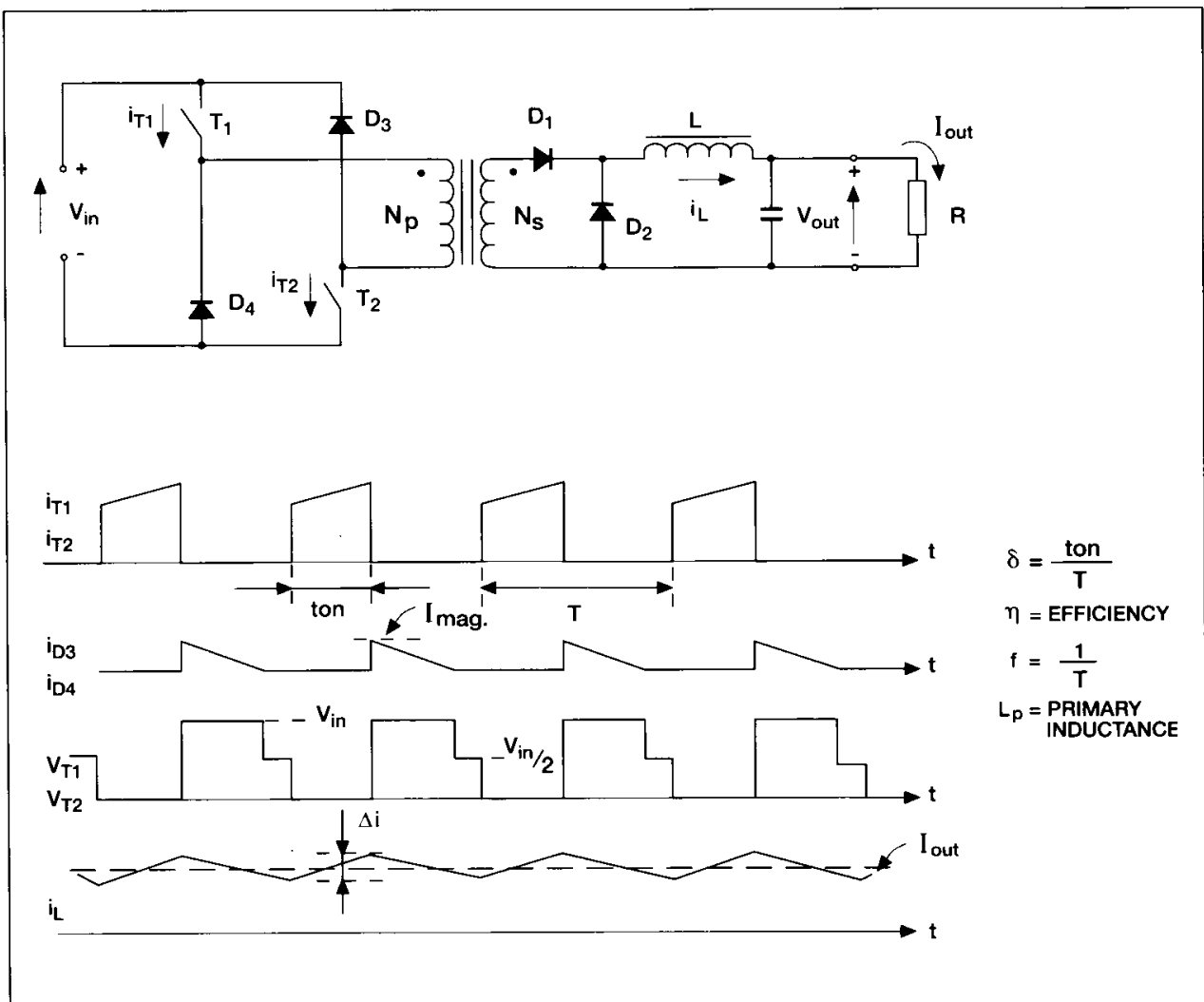
FORWARD D1:

$$\begin{cases} V_{RRM} \geq \frac{V_{inmax} (V_{out} + V_F)}{V_{inmin} \cdot \delta_{max}} \\ I_{F(av)} \geq I_{out} \cdot \delta_{max} \end{cases}$$

FREEWHEELING D2:

$$\begin{cases} V_{RRM} \geq V_{inmax} (V_{out} + V_F) \\ I_{F(av)} \geq I_{out} \end{cases}$$

Figure 10: Half bridge asymmetrical forward converter



APPLICATION NOTE

III - 2 Symmetrical converters

This type of converter always uses an even number of switches. It also better exploits the transformer's magnetic circuit than in asymmetrical converters. So, smaller size and weight can be achieved.

The three most common structures used are:

- PUSH/PULL
- HALF BRIDGE with capacitors
- FULL BRIDGE

III - 2.1 Push/Pull converter

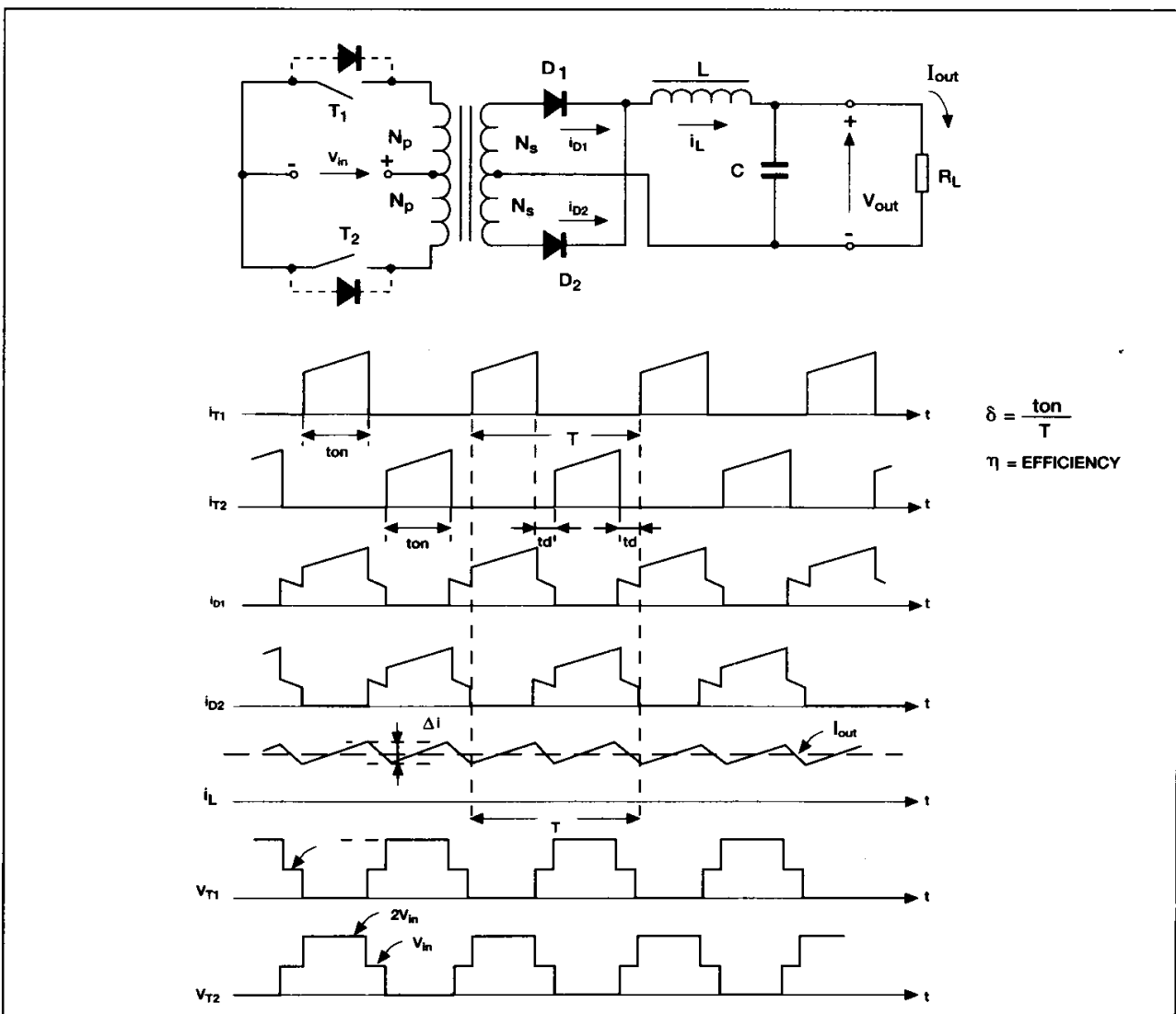
T_1 and T_2 switches (see figure 11) are alternately turned-on during a time t_{on} . The secondary circuit operates at twice the switching frequency.

A deadtime t_d between the end of conduction of one switch and the turn-on time of the other one is required in order to avoid simultaneous conduction of the two switches.

$$V_{out} = 2 \frac{\delta V_{in}}{n}$$

Moreover, the snubber network in symmetrical converters must be carefully designed, since they inter-react with one another.

Figure 11: Push-Pull converter



** Power switch*

$$I_{Dpeak} \text{ or } I_{Cpeak} \geq \frac{P_{out}}{\eta V_{inmin}}$$

$$V_{CEV} \text{ or } V_{DSS} \geq 2V_{inmax} + \text{leakage inductance spike}$$

** Rectifier*

$$V_{RRM} \geq \frac{(V_{out} + V_F) V_{inmax}}{\delta_{max} \cdot V_{inmin}} + \text{Voltage spike}$$

$$I_{F(av)} \geq \frac{I_{outmax}}{2}$$

The switches are easy to drive since they are both referenced to ground, however they must withstand twice the input supply voltage.

The inherent flux symmetry problems can be corrected with a current mode PWM control circuit.

The capacitors in series across the supply fix a mid-point so that switches withstand only once the input voltage V_{in} .

However, this topology requires driving a high side switch. When using bipolar switches, transistor's storage time should have tight tolerances to avoid imbalance in operating flux level.

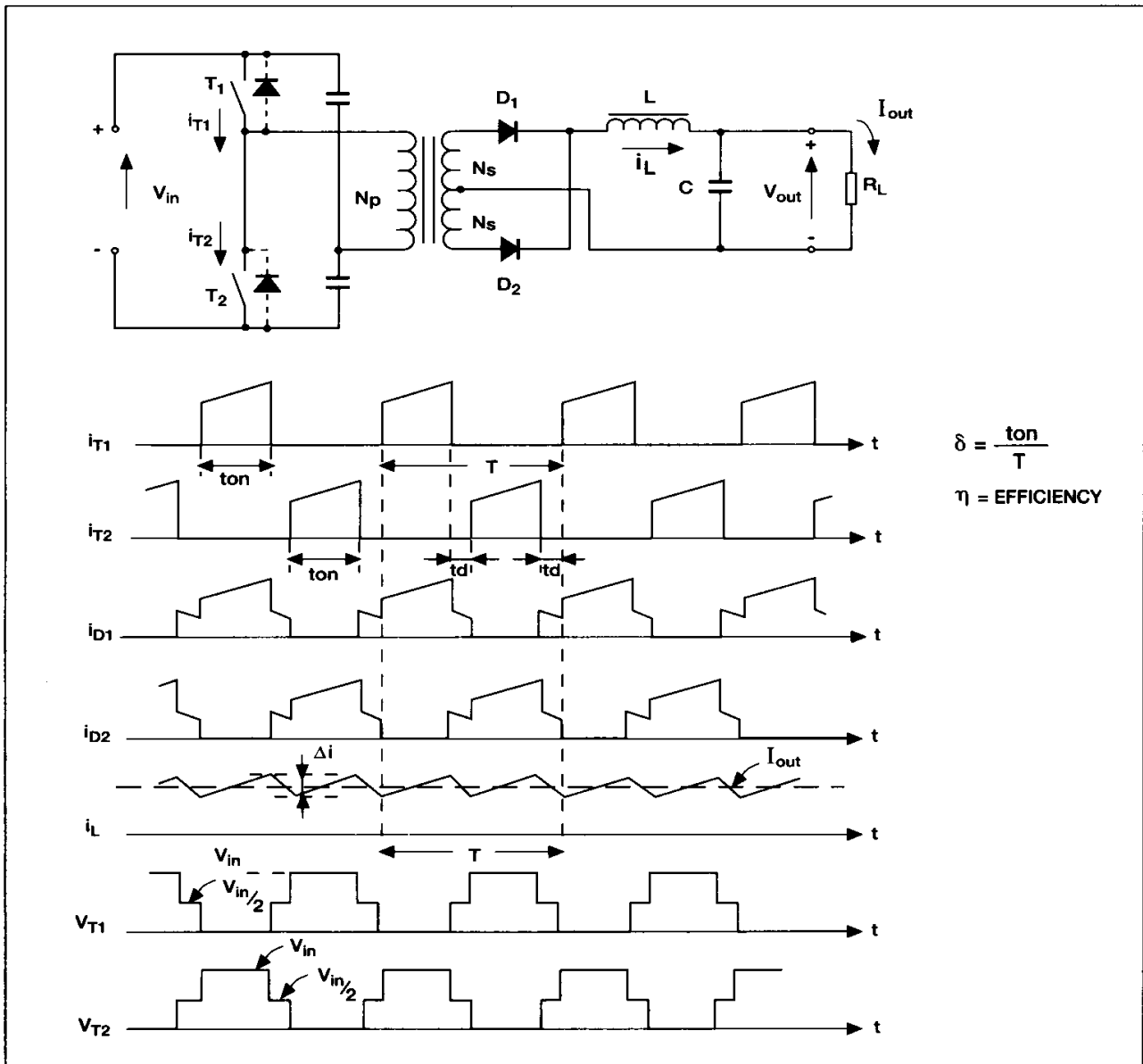
III - 2.2 Half bridge converter

This topology can be used for an output power capability up to 500W. As for the push-pull converter, T_1 and T_2 switches are alternately turned on during a time t_{on} .

$$V_{out} = \frac{V_{in} \cdot \delta}{n}$$

APPLICATION NOTE

Figure 12: Half bridge converter



* Power switch:

$$I_{Cpeak} \text{ or } I_{Dpeak} \geq \frac{2P_{out}}{\eta V_{inmin}}$$

$$V_{CEV} \text{ or } V_{DSS} \geq V_{inmax}$$

* Rectifier:

$$V_{RRM} \geq \frac{(V_{out} + V_F) \cdot V_{inmax}}{\delta_{max} \cdot V_{inmin}} + \text{leakage inductance spike}$$

$$I_{F(av)} \geq \frac{I_{outmax}}{2}$$

Deadtimes (t_d in figure 12) between two consecutive switch conduction are absolutely mandatory to avoid bridge-leg short circuit.

Sometimes, power transformers are paralleled to provide higher output power.

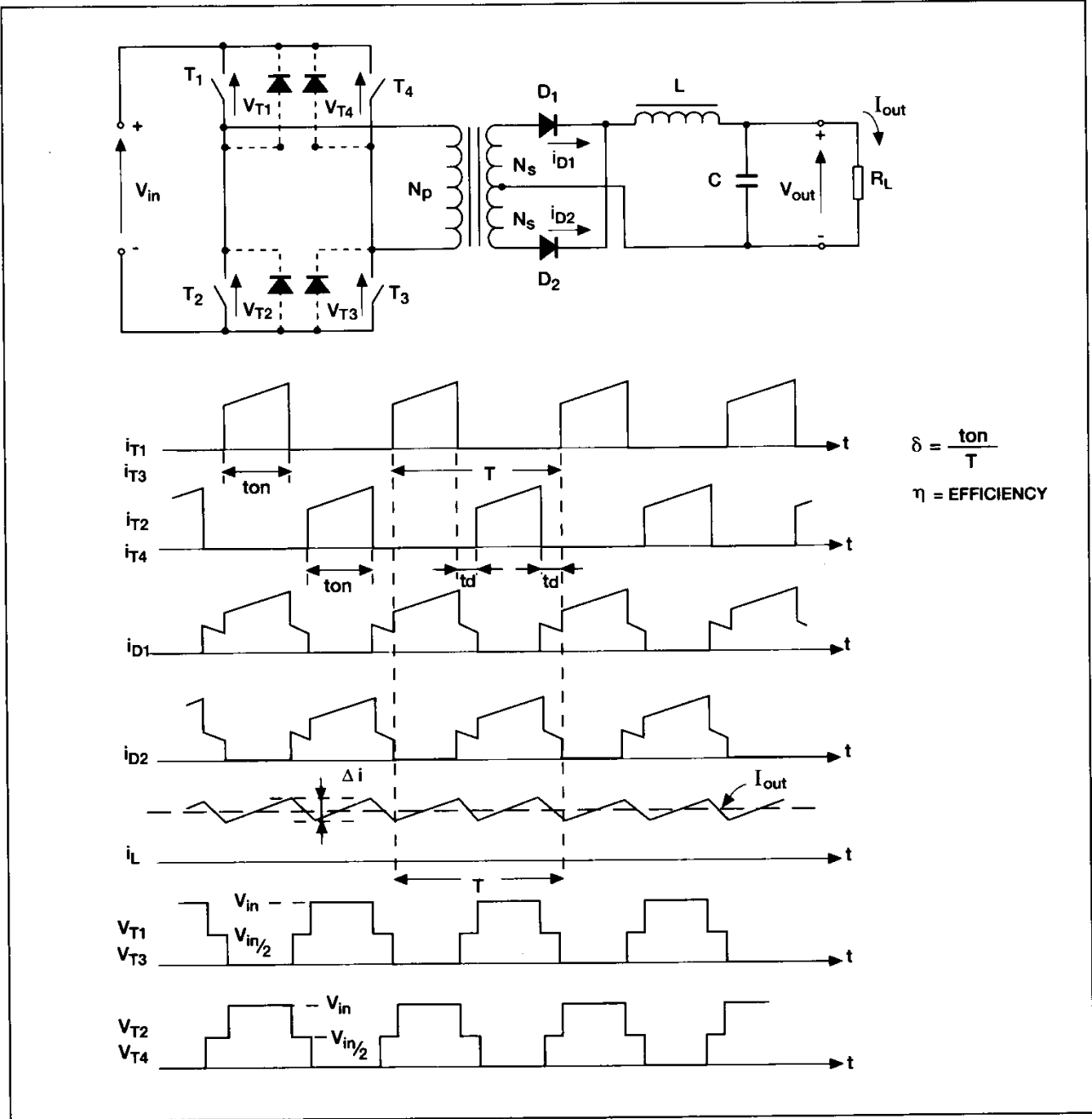
III - 2.3 Full bridge converter

$$V_{out} = \frac{2V_{in} \delta}{n}$$

Because of the number of components, the full bridge is for high power applications, ranging from 500 up to 2000W.

Switch pairs T_1 and T_3 , T_2 and T_4 are alternately driven.

Figure 13: Full bridge converter



APPLICATION NOTE

* *Power switch:*

$$I_{Cpeak} \text{ or } I_{Dpeak} \geq \frac{P_{out}}{\eta V_{inmin}}$$
$$V_{CEV} \text{ or } V_{DSS} \geq V_{inmax}$$

* *Rectifier:*

$$V_{RRM} \geq \frac{(V_{out} + V_F) V_{inmax}}{\delta_{max} \cdot V_{inmin}} + \text{leakage inductance spike}$$
$$I_F(av) \geq \frac{I_{outmax}}{2}$$

The full bridge provides twice the output power of the half bridge circuit with the same switch ratings.

Nevertheless, this topology requires 4 switches and clamping diodes.

IV - CONCLUSION

Many significant technological changes in power supply design have resulted in lower cost per Watt with improved performance.

Today, designers keep going ahead with the state-of-the-art in switching regulator technology in order to reduce size and weight of power packages.

Output voltage and load current always depend upon the application. The power supply designs are often tailored to specific applications. No simple procedure exists to select the right topology.

This paper provides an overview of the most commonly used topologies and lists the most important features for each topology.

Information furnished is believed to be accurate and reliable. However, SGS-THOMSON Microelectronics assumes no responsibility for the consequences of use of such information nor for any infringement of patents or other rights of third parties which may result from its use. No license is granted by implication or otherwise under any patent or patent rights of SGS-THOMSON Microelectronics. Specification mentioned in this publication are subject to change without notice. This publication supersedes and replaces all information previously supplied. SGS-THOMSON Microelectronics products are not authorized for use as critical components in life support devices or systems without express written approval of SGS-THOMSON Microelectronics.

© 1998 SGS-THOMSON Microelectronics – Printed in Italy – All Rights Reserved

SGS-THOMSON Microelectronics GROUP OF COMPANIES

Australia - Brazil - Canada - China - France - Germany - Italy - Japan - Korea - Malaysia - Malta - Morocco - The Netherlands - Singapore - Spain - Sweden - Switzerland - Taiwan - Thailand - United Kingdom - U.S.A.